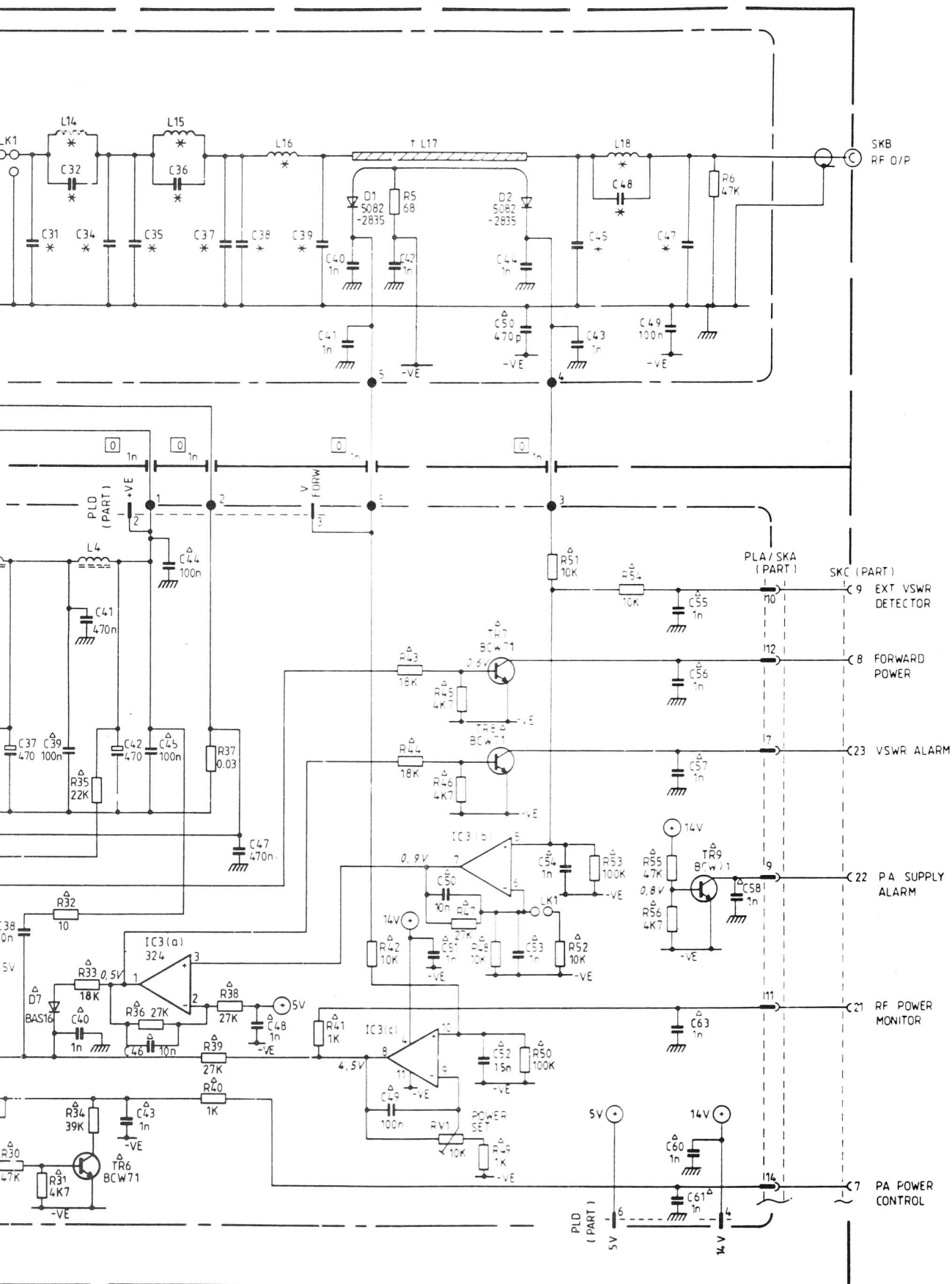


NOTES

- 1 * FOR UNSPECIFIED VALUES OR TYPES SEE PARTS LIST
- 2 THE NUMBERS SHOWN IN BOXES (e.g. 2) ARE COMPONENT PREFIX NUMBERS AND SHOULD BE USED WHEN REFERENCE IS MADE TO ANY COMPONENT ON THAT PCB ASSY ANY COMPONENT NOT ON A PCB ASSY PREFIX 0 SHOULD BE USED
- 3 COMPONENTS SHOWN THUS Δ ARE SURFACE MOUNTED ALL OTHERS ARE LEADED



TX PA ATO4879/-
CIRCUIT DIAGRAM