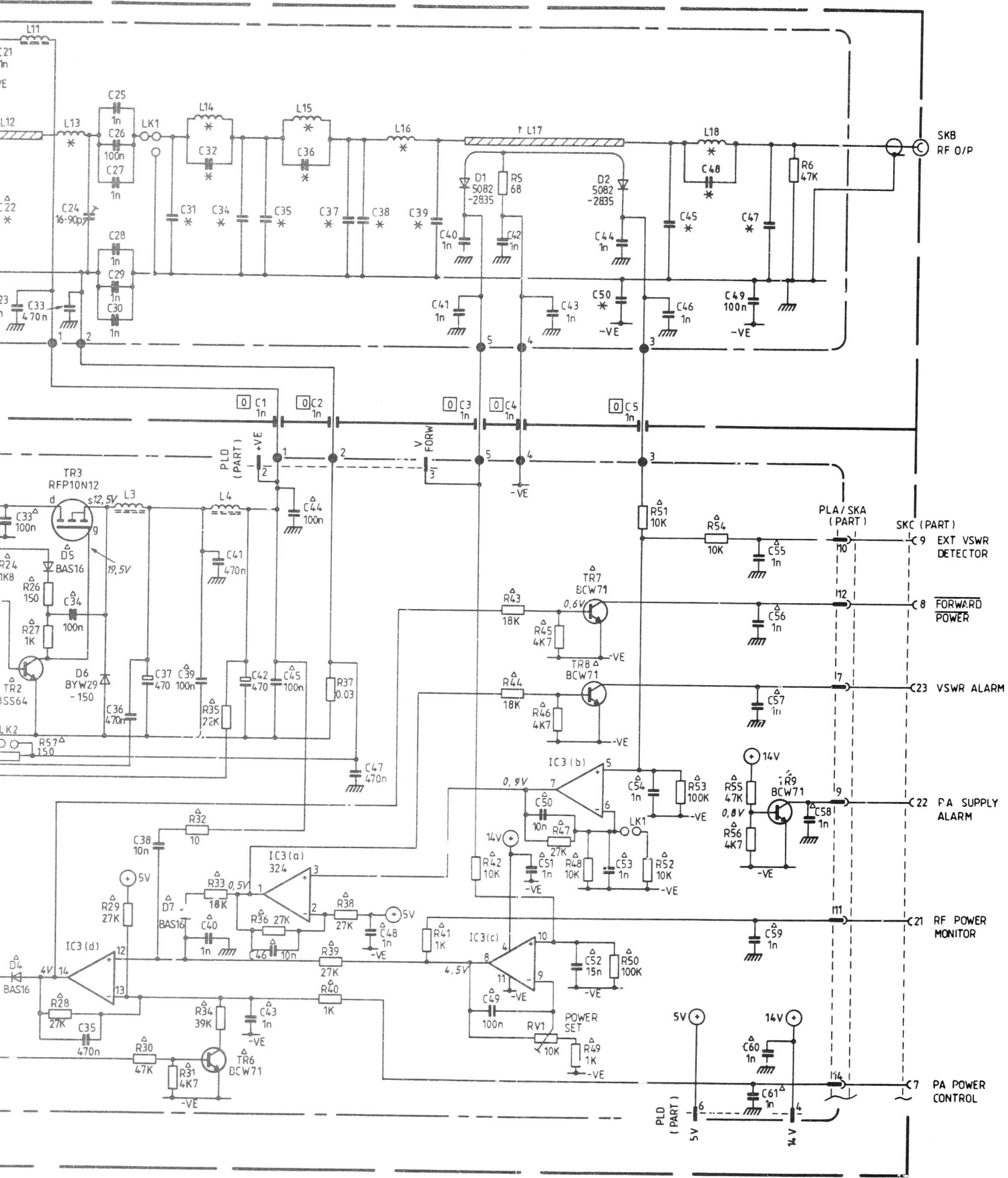


NOTES

1. * FOR UNSPECIFIED VALUES OR TYPES SEE PARTS LIST
2. THE NUMBERS SHOWN IN BOXES (ie. 2) ARE COMPONENT PREFIX NUMBERS AND SHOULD BE USED WHEN REFERENCE IS MADE TO ANY COMPONENT ON THAT PCB ASSY. ANY COMPONENT NOT ON A PCB ASSY, PREFIX 0 SHOULD BE USED
3. COMPONENTS SHOWN THUS C3 ARE SURFACE MOUNTED ALL OTHERS ARE LEADED.



**TX POWER AMPLIFIER ATO4874/-
CIRCUIT DIAGRAM**