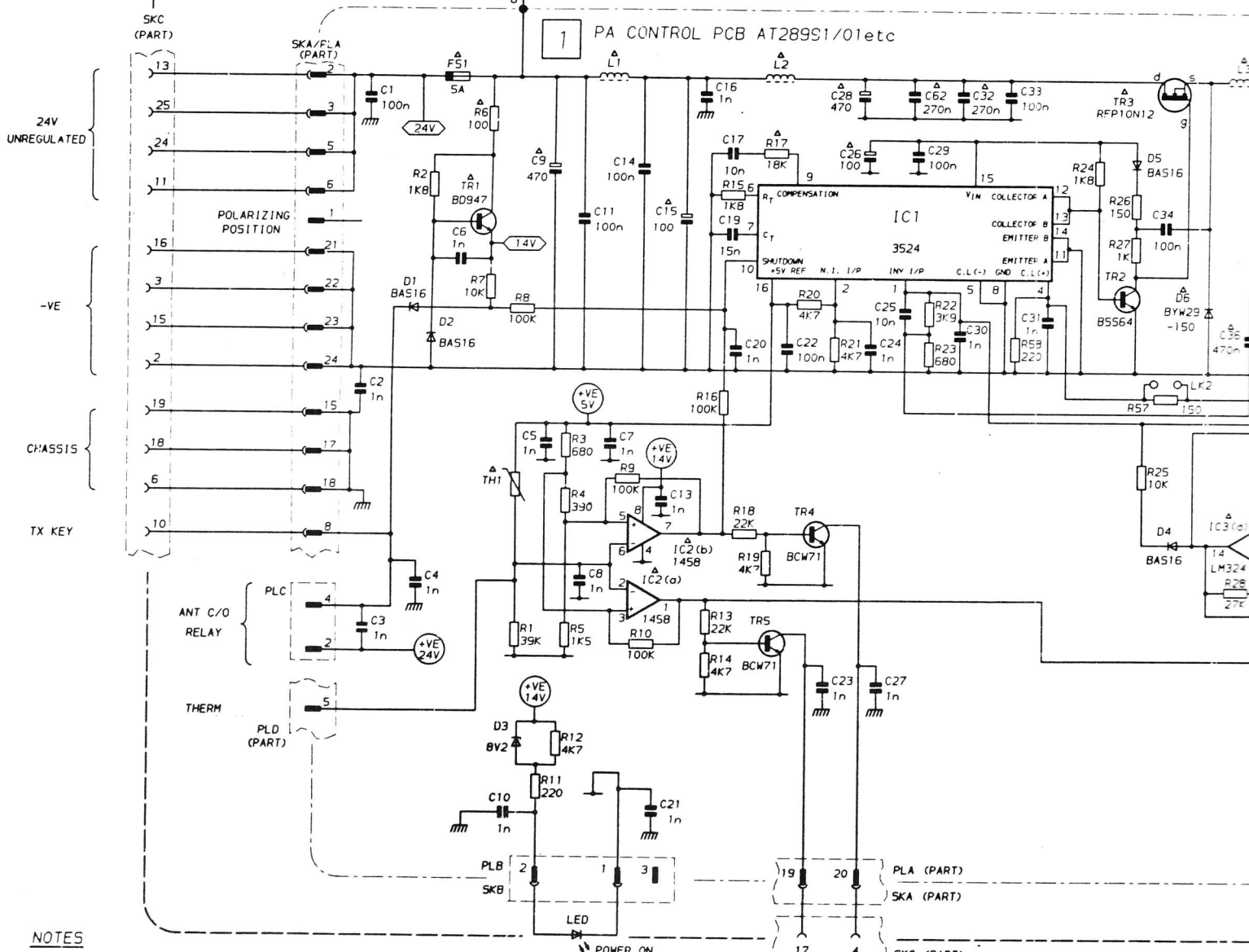


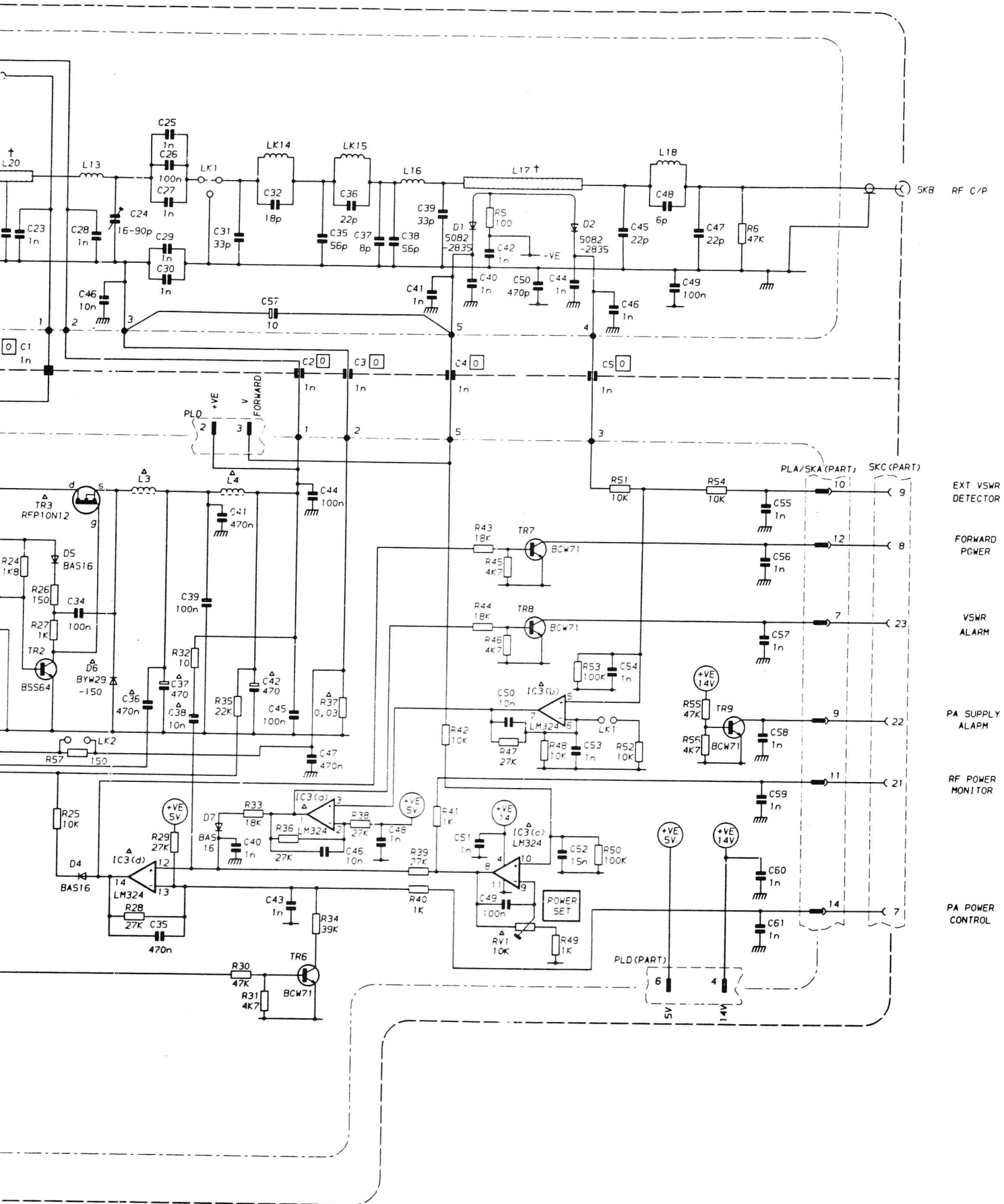
† INDICATES STRIPLINE INDUCTOR (PART OF TRACK)



**NOTES**

1. # FOR UNSPECIFIED VALUES OR TYPES SEE PARTS LIST.
2. THE NUMBERS SHOWN IN BOXES ie [2] ARE THE COMPONENT PREFIX NUMBERS AND SHOULD BE USED WHEN REFERENCE IS MADE TO ANY COMPONENT ON THAT PCB ASSY. ANY COMPONENT NOT ON A PCB ASSY, PREFIX [0] SHOULD BE USED.
3. ALL COMPONENTS SHOWN THUS  $\Delta$  C2 ARE SURFACE MOUNTED, ALL OTHERS ARE LEADED.

OVER TEMP ALARM  
 SHUTDOWN ALARM



TX PA ATO4883/-  
CIRCUIT DIAGRAM