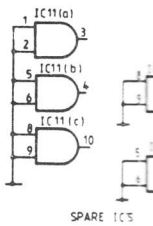
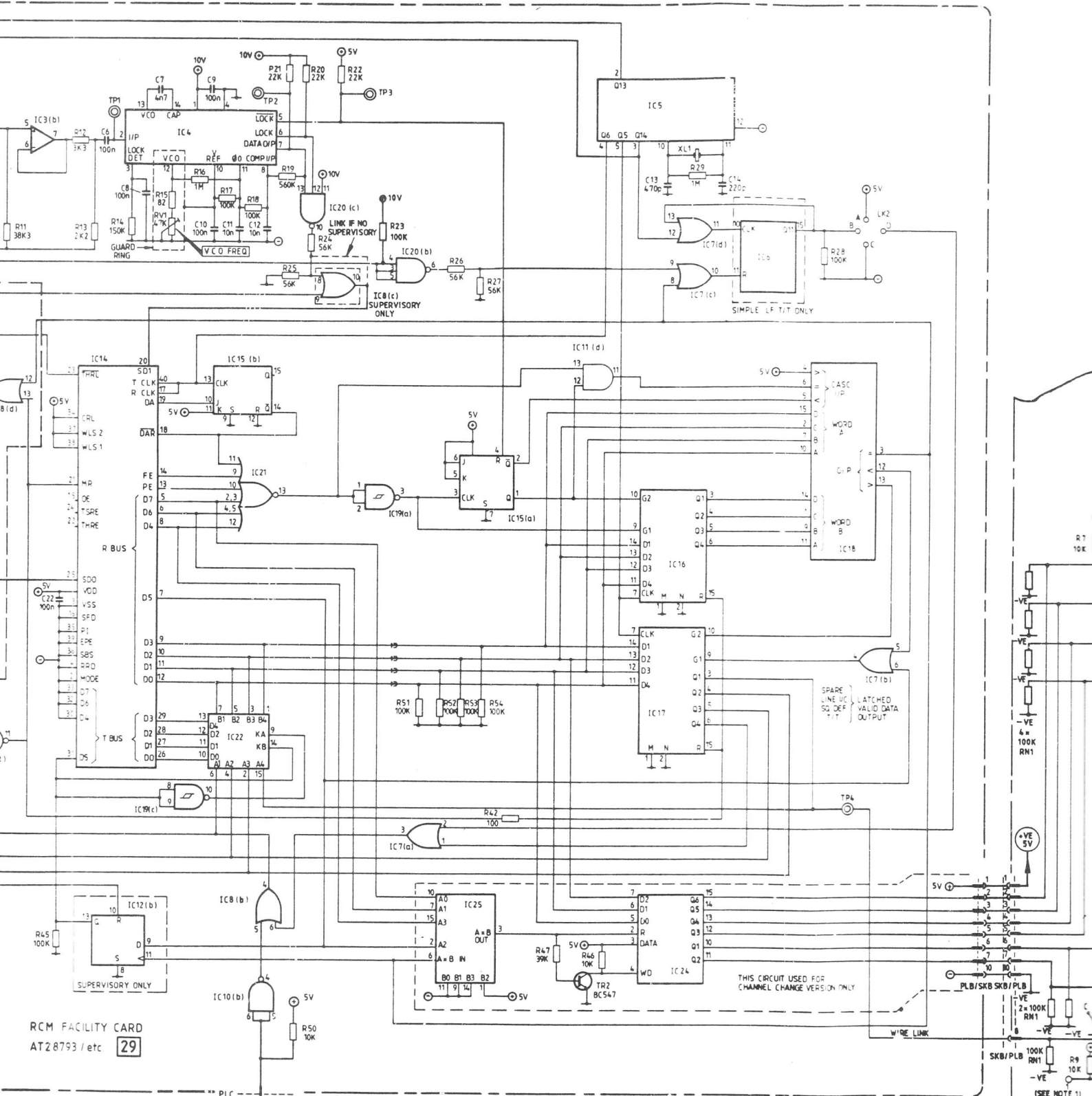


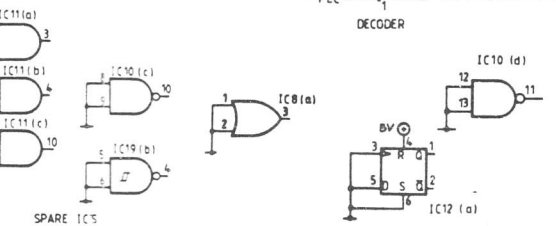
IC INFORMATION FOR RCM FACILITY CARD ONLY

IC No	TYPE	POWER PINS			IC No	TYPE	POWER PINS		
		10V	5V	-VE			10V	5V	-VE
1	458 a b	8		4	11	4081 d (a,b,c SPARE)	14	7	21
2	458 a b	8		4	12	4013 a b	14	7	22
3	458 a b	8		4	13	4017	16	8	23
4	XR2211	1		4	14	CDP1854	1	3	24
5	4060	16	8	15	16	4027 a b	16	8	25
6	4020	16	8	16	16	4076	16	8	
7	4071 a b c d	14	7	17	17	4076	16	8	
8	4071 c d a (b SPARE)	14	7	18	18	4585	16	8	
9	XR2206	4		12	19	4098 a c d (b SPARE)	14	7	
10	4011 a b d (c SPARE)	14	7	20	20	4023 a b c	14	7	



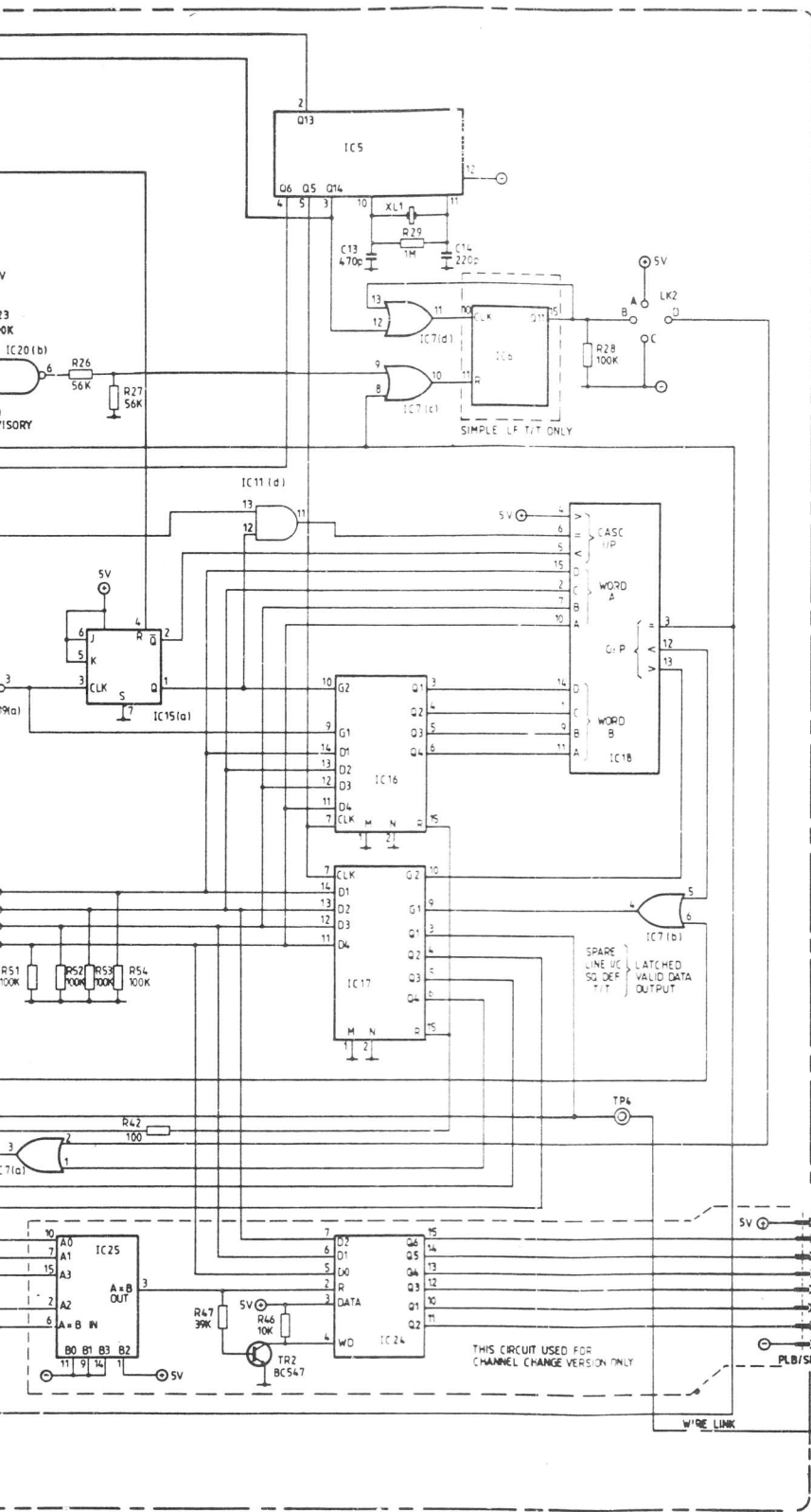


RCM FACILITY CARD  
AT28793 / etc **29**



**NOTES**  
1 PIN 1 IS A FREE FUNCTION PIN ON RCM 5000, FOR PATCHWORK.

(SEE NOTE 1)



NOTES  
1. PIN 1 IS A FREE FUNCTION PIN ON RCM 5000, FOR PATCHWORK

INTERFACE PWB (PART)  
AT29074

