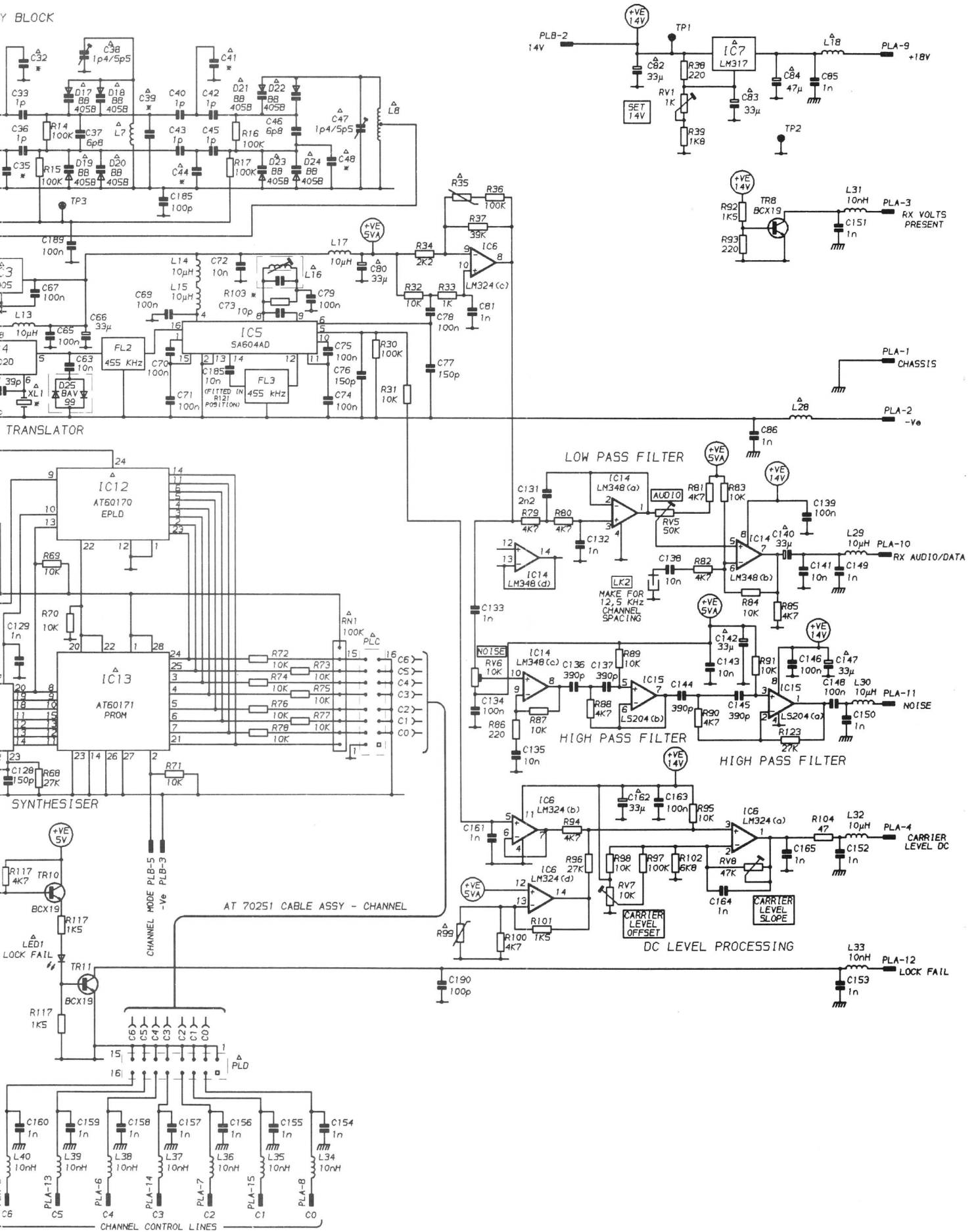


**NOTES**

- 1, ALL COMPONENTS MARKED THIS  $\Delta$  ARE LEADED. ALL OTHERS ARE SURFACE MOUNTED.
- 2, ALL UNSPECIFIED COMPONENTS MARKED THIS \* TO BE IDENTIFIED BY PARTS LIST.

REFERENCE OSCILLATOR

Y BLOCK



RECEIVER ATO4880(UHF)  
CIRCUIT DIAGRAM