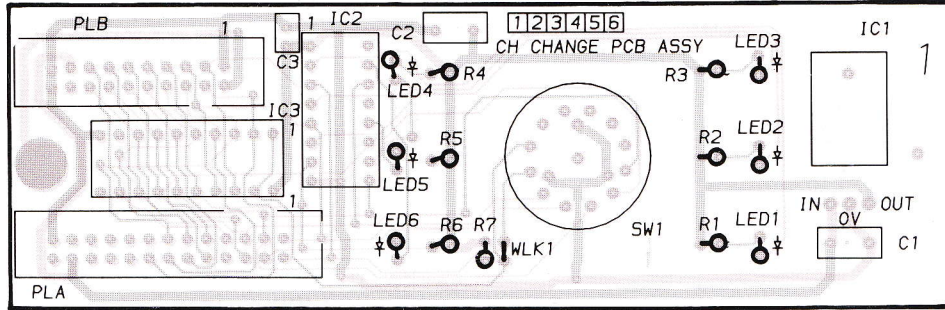
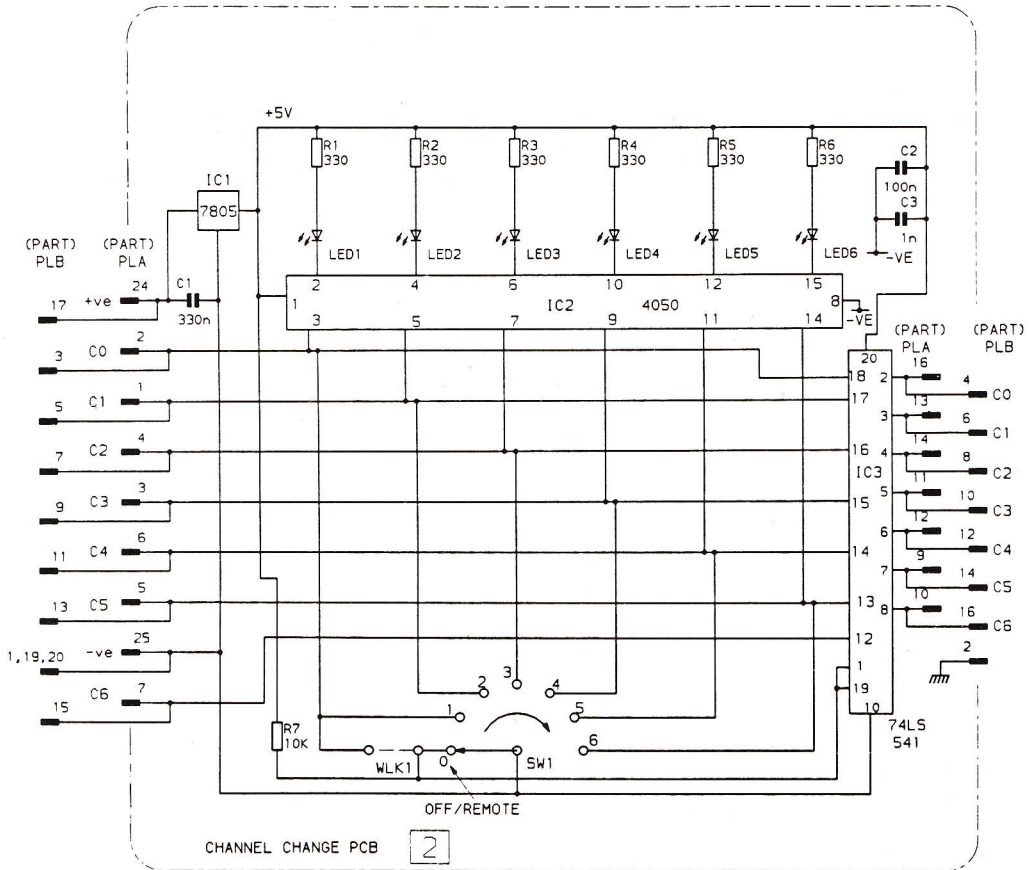


METERING PANEL



A4 G1085

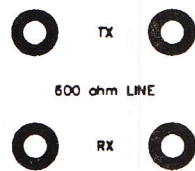
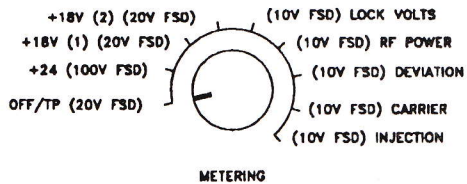
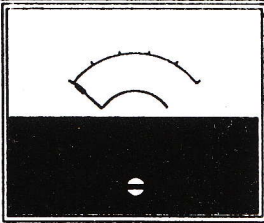
PCB ASSEMBLY CHANNEL CHANGE 3513 500 01781 COMPONENT LAYOUT



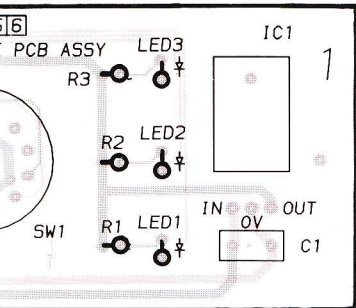
WLK1 FITTED IF NO REMOTE CONTROL

PCB ASSEMBLY CHANNEL CHANGE 3513 500 01781 CIRCUIT DIAGRAM

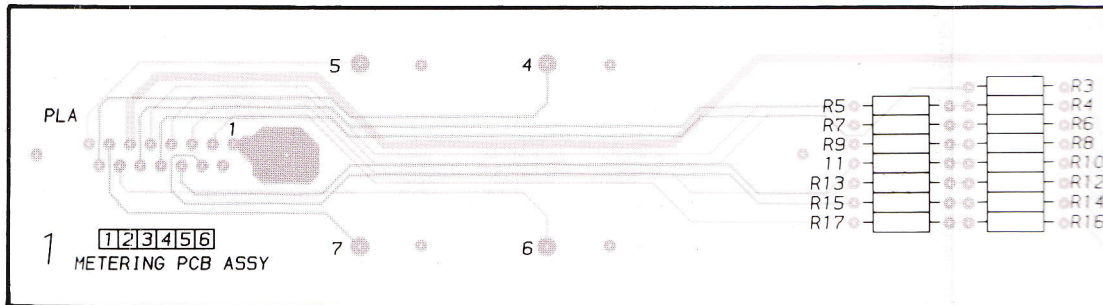
- 4
- 5
- 6



**METERING PANEL - FRONT VIEW**

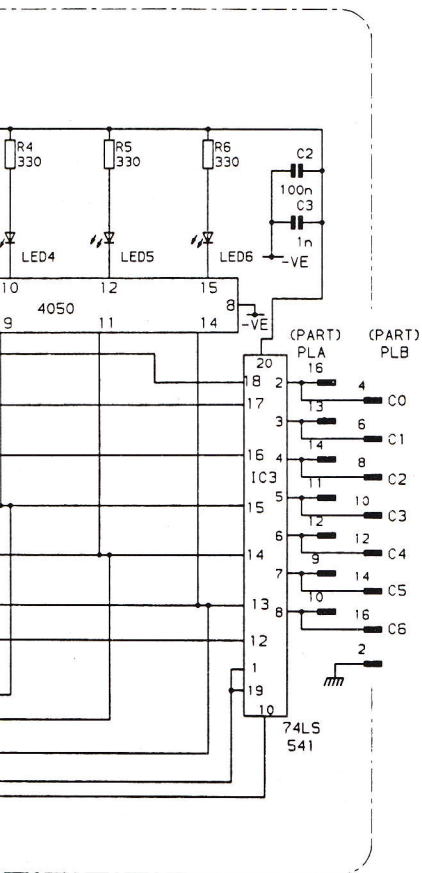


A4 G1085

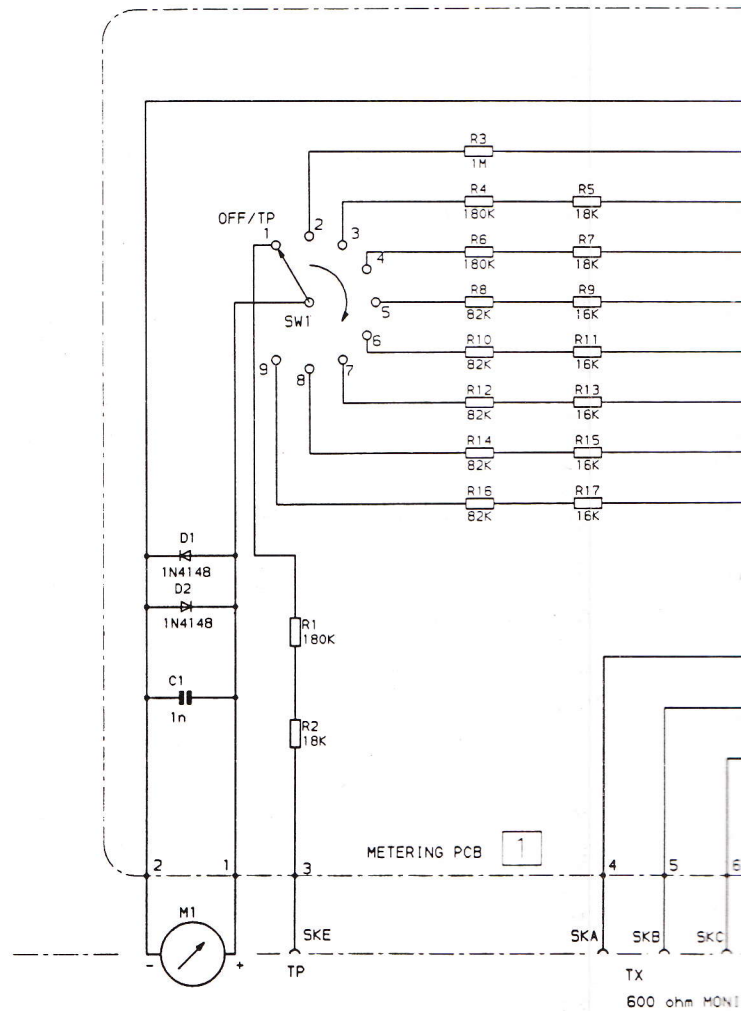


**01781 COMPONENT LAYOUT**

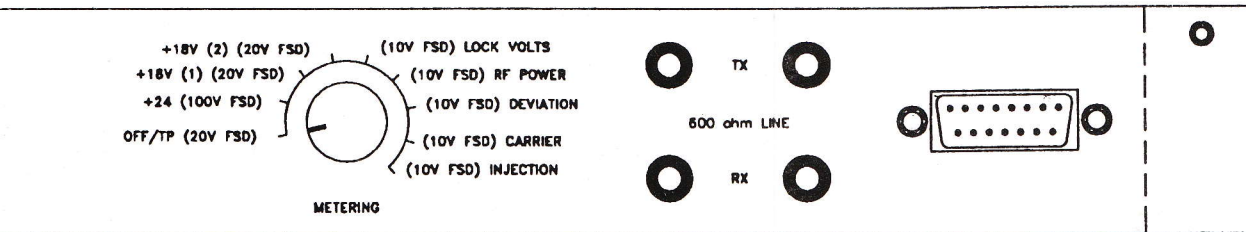
**PCB ASSEMBLY METERING 3513 500 01791 COMPON**



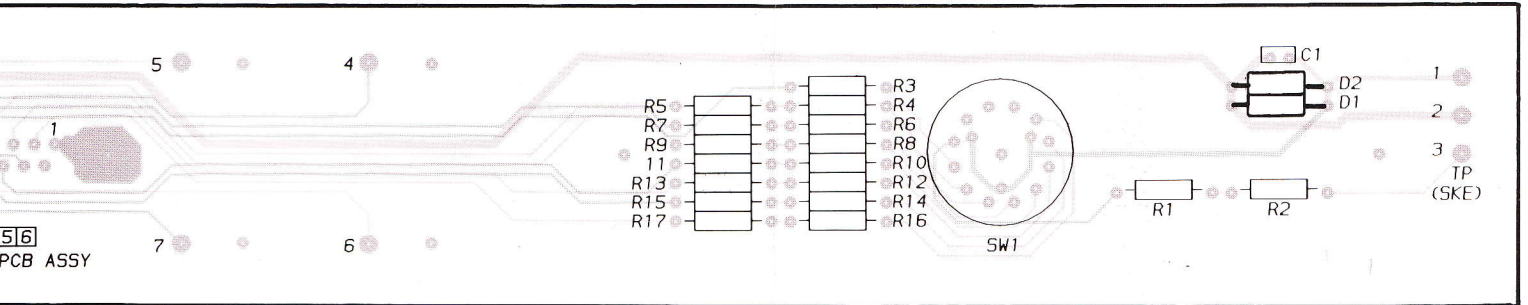
**01781 CIRCUIT DIAGRAM**



**PCB ASSEMBLY METERING 3513 5**

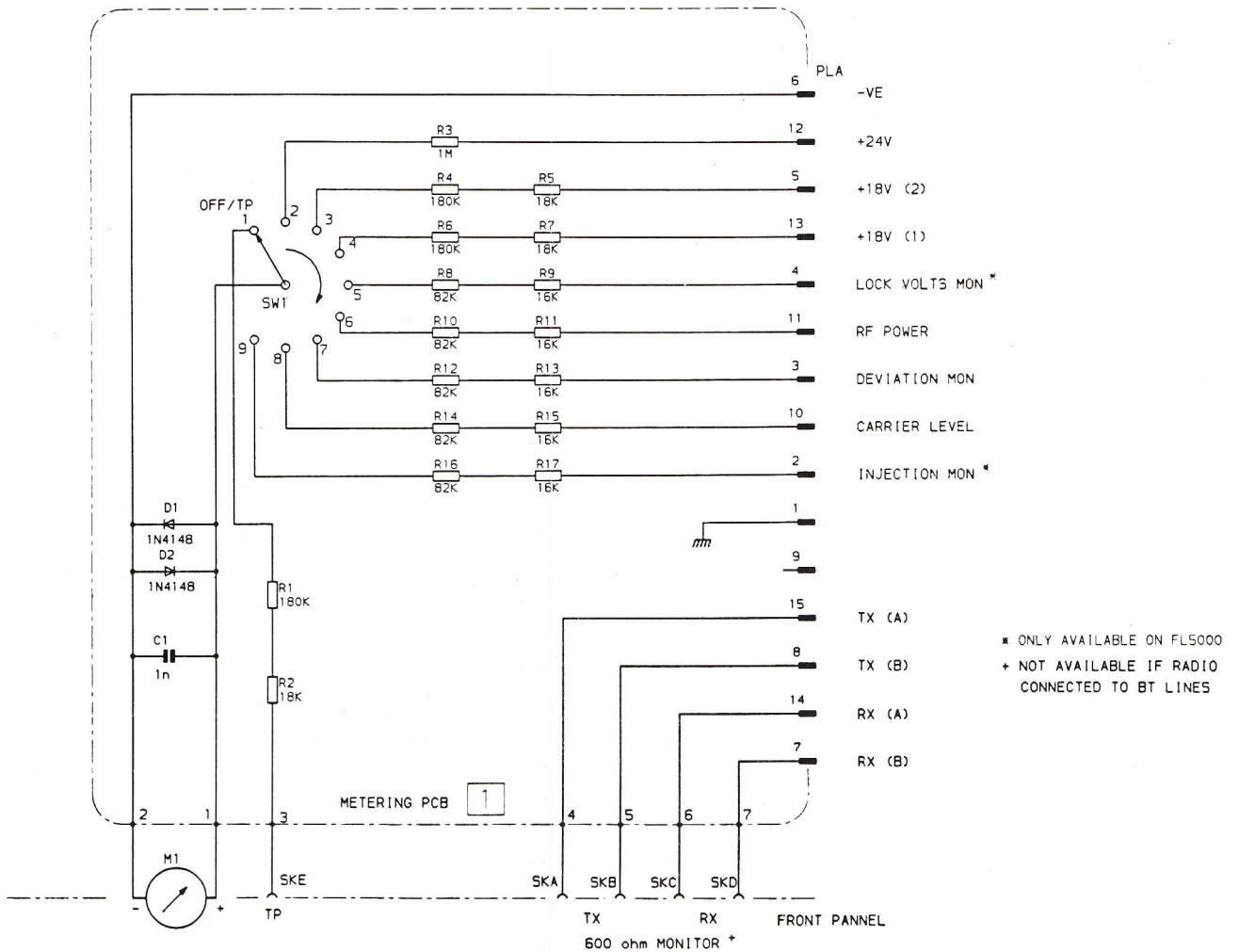


EL - FRONT VIEW



A4 G1084

PCB ASSEMBLY METERING 3513 500 01791 COMPONENT LAYOUT



PCB ASSEMBLY METERING 3513 500 01791 CIRCUIT DIAGRAM