

CONTROL UNIT  
FRONT PANEL

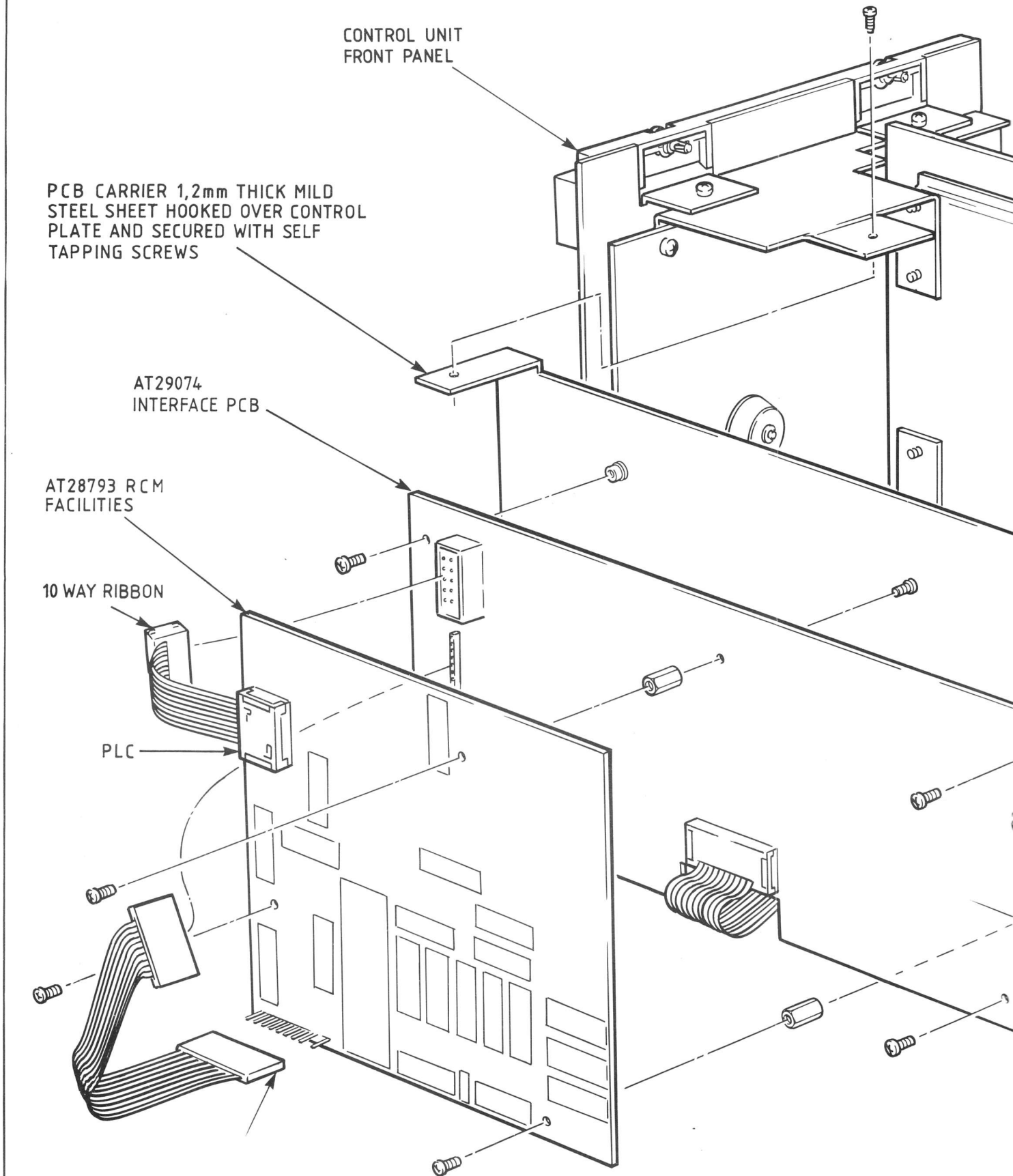
PCB CARRIER 1,2mm THICK MILD  
STEEL SHEET HOOKED OVER CONTROL  
PLATE AND SECURED WITH SELF  
TAPPING SCREWS

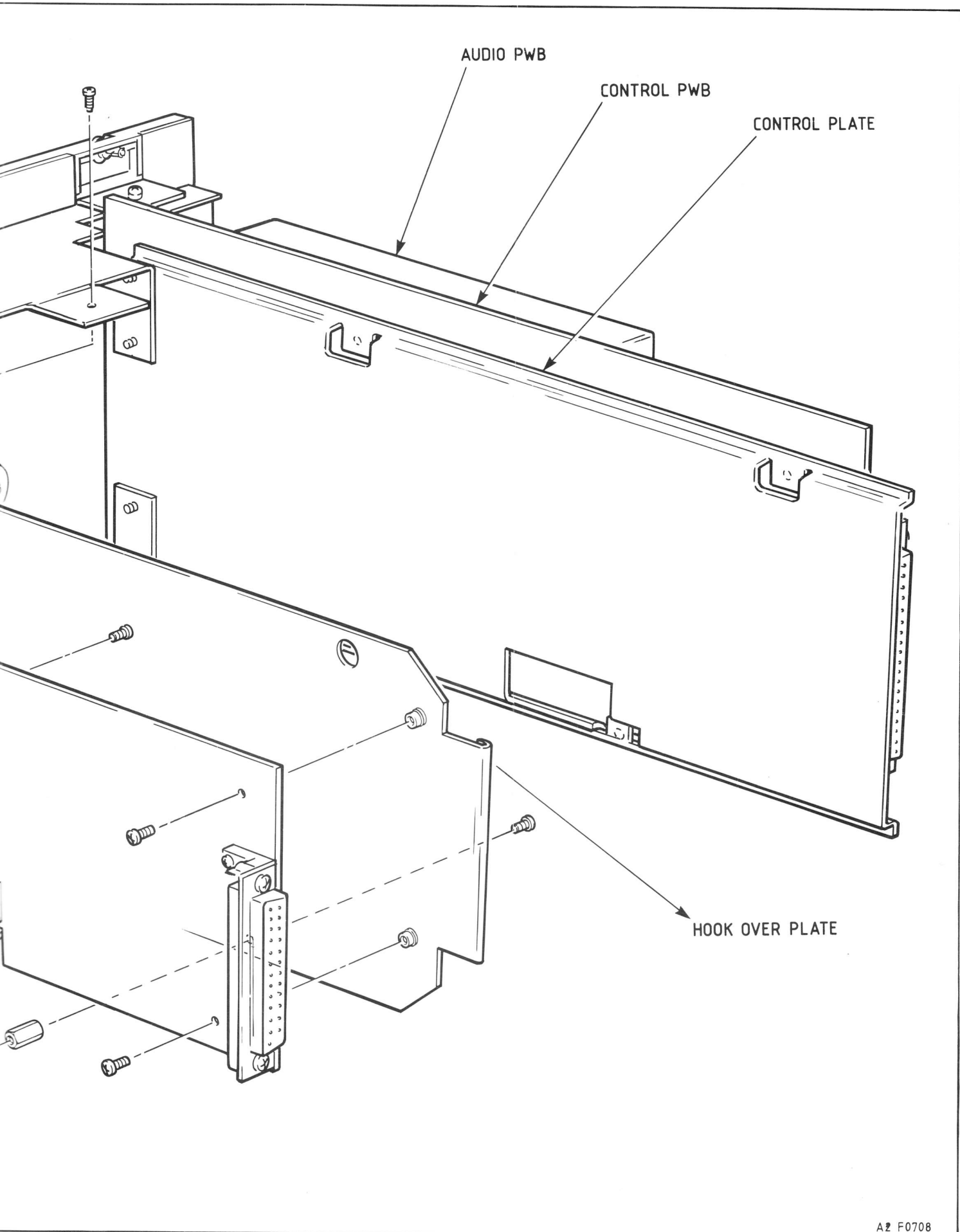
AT29074  
INTERFACE PCB

AT28793 RCM  
FACILITIES

10 WAY RIBBON

PLC





A2 F0708

FIG. 1 INSTALLATION