

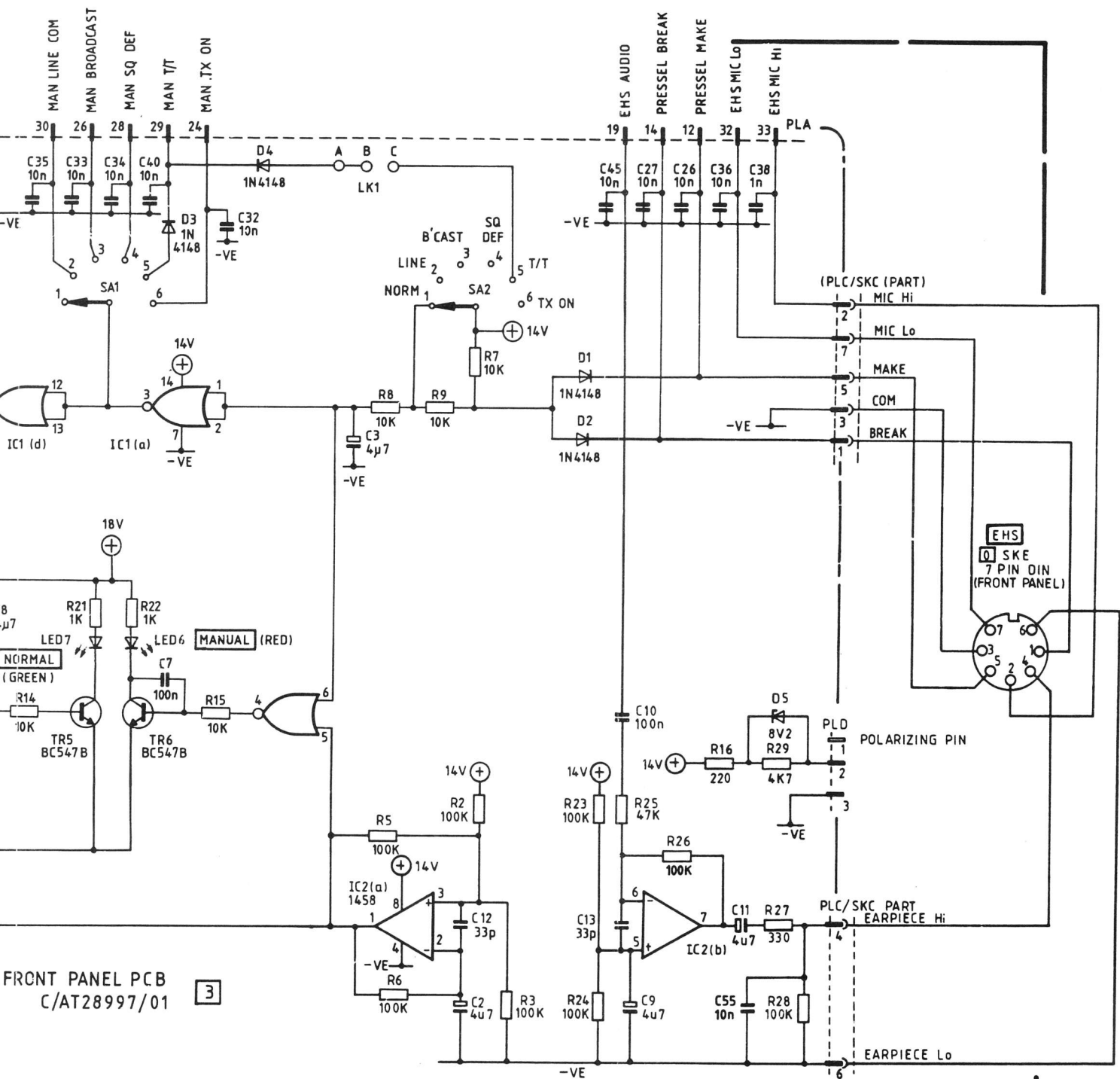
ASSORT OVRIDE  
 TONE VALID  
 FILT. RX AUDIO  
 CTCSS TONE  
 ASSORT TONE  
 SPARE  
 PIP TONE ENABLE  
 SPARE  
 RX CALL  
 DISABLE ASSORT  
 RX AUDIO  
 CARRIER LEVEL MONITOR  
 RX NOISE  
 DISABLE CTCSS  
 +VE 14V  
 AUDIO -VE  
 AUDIO -VE  
 LOGIC -VE  
 SQUELCH LED  
 T/T LED  
 TX ON LED

1 3 5 7 9 11 15 17 22 22 18 10 8 6 4 17 2 16 31 23 25 21  
 C54 10n C53 10n C52 1n C51 1n C50 1n C49 1n C47 1n C41 1n C31 1n C29 10n C25 1n C24 1n C23 1n C22 1n C46 10n C39 10n C43 10n C42 10n C44 10n C48 10n C30 10n C35 10n C33 10n C34 10n C56 10n C57 10n C58 10n C59 10n

R17 1K R10 10K R18 1K R11 10K R19 1K R12 10K R20 1K R13 10K R4 10K R21 1K R14 10K R1 100K

TR1 BC547B TR2 BC547B TR3 BC547B TR4 BC547B TR5 BC547B  
 LED2 SQUELCH (YELLOW)  
 LED3 TX ON (RED)  
 LED4 T/T (YELLOW)  
 LED5 ALARM (RED)  
 LED7 NORMAL (GREEN)

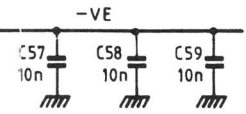
+VE 18V +VE 14V -VE -VE -VE  
 IC1 (d) IC1 (c) SA1  
 FRONT PANEL P C/AT28997/



FRONT PANEL PCB  
C/AT28997/01 3

**NOTES.**

THE NUMBERS SHOWN IN BOXES ie 3 ARE COMPONENT CODE PREFIX NUMBERS AND SHOULD BE USED WHEN REFERENCE IS MADE TO ANY COMPONENT ON THAT ASSEMBLY. ANY COMPONENT NOT ON A PCB ASSEMBLY PREFIX 0 SHOULD BE USED.



CONTROL FRONT PANEL AT28997/01  
CIRCUIT DIAGRAM