

CONTROL AUDIO PCB
AT29024/1etc.

TX LIMITER

DEVIAION

TX PRE-EMPHASIS

TX TONE DETECTOR

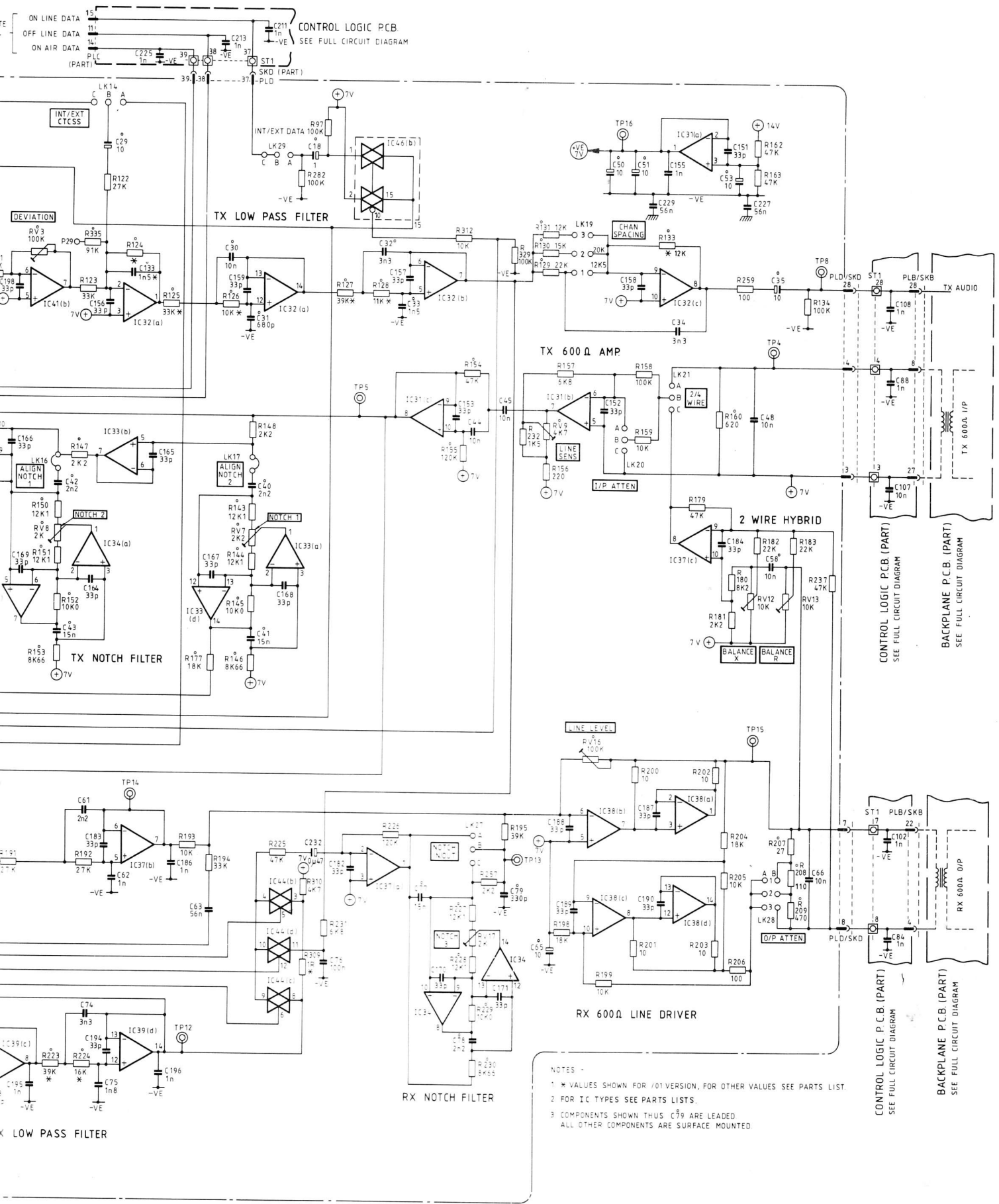
TX NOTCH FILTER

RX CALL GENERATOR

RX HIGH PASS FILTER

DE-EMPHASIS

RX LOW PASS FILTER



- NOTES -
- * VALUES SHOWN FOR /01 VERSION, FOR OTHER VALUES SEE PARTS LIST.
 - FOR IC TYPES SEE PARTS LISTS.
 - COMPONENTS SHOWN THUS C79 ARE LEADED ALL OTHER COMPONENTS ARE SURFACE MOUNTED.

**CONTROL AUDIO AT29024/01
CIRCUIT DIAGRAM**