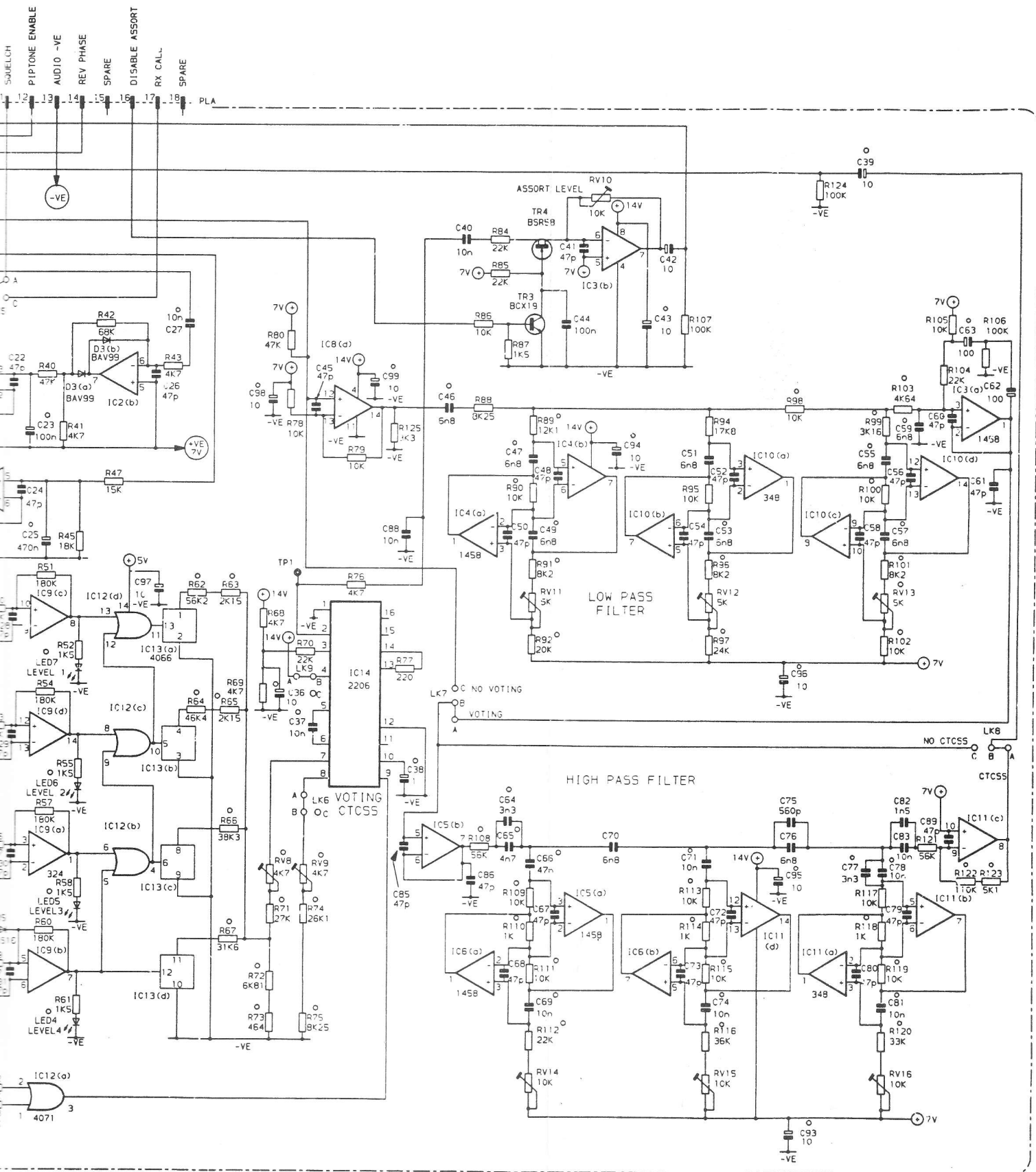


IC No	TYPE	SUPPLY PIN No			IC No	TYPE	SUPPLY PIN No		
		14V	5V	-VE			14V	5V	-VE
1	1458a-b	8	4	13	4066a-d	14	7	7	
2	4558a-b	8	4	14	XR2205	14	1	11	
3	1458a-b	8	4	15	FX365 LG	1	11	11	
4	1458a-b	8	4	16	FX365 LG	1	11	11	
5	1458a-b	8	4						
6	1458a-b	8	4						
7	348a-b	4	11						
8	224a-d (c-spore)	4	11						
9	348a-b	4	11						
10	348a-b	4	11						
11	348a-d	4	11						
12	4071a-d	14	7						

1. ALL COMPONENTS SHOWN THUS CS^o ARE LEADED, THOSE NOT MARKED ARE SURFACE MOUNTED (S.M.C.)



VOTING/CTCSS PCB AT29061
CIRCUIT DIAGRAM