

# RS-232 Line Driver Power Supply

National Semiconductor  
Application Brief 30  
April 1998



RS-232 Line Driver Power Supply

## INTRODUCTION

A large segment of today's systems comply with the Electronic Industries Association (EIA) RS-232 specification for the interface between data processing and data communications equipment. Because this specification calls for the use of positive and negative signal levels, the designer quite often needs to add a dual supply to a board which can otherwise operate from a single 5V supply. The LM1578A Switching Regulator can be used to convert the already existing supply into a separate  $\pm 12V$  supply for powering the interface line drivers.

## CIRCUIT DESCRIPTION

The power supply, shown in *Figure 1*, operates from an input voltage as low as 4.2V, and delivers an output of  $\pm 12V$  at  $\pm 40$  mA with an efficiency of better than 70%. The circuit provides a load regulation of  $\pm 1.25\%$  (from 10% to 100% of full load) and a line regulation of  $\pm 0.08\%$ . Other notable features include a cycle-by-cycle current limit and an output voltage ripple of less than 40 mVp-p.

A unique feature of this flyback regulator is its use of feedback from BOTH outputs. This dual feedback configuration results in a sharing of the output voltage regulation by each output so that one output is not left unregulated as in single feedback systems. In addition, since both sides are regulated, it is not necessary to use a linear regulator for output regulation.

## COMPONENT SELECTION

The following design procedure is provided for the user who wishes to tailor the power supply circuit to fit their own specific converter application.

The feedback resistors, R2 and R3, may be selected as follows by assuming a value of 10 k $\Omega$  for R1;

$$R2 = (V_{OUT} - 1V)/45.8 \mu A = 240 \text{ k}\Omega$$

$$R3 = (|V_{OUT}| + 1V)/54.2 \mu A = 240 \text{ k}\Omega$$

Actually, the currents used to program the values for the feedback resistors may vary from 40  $\mu A$  to 60  $\mu A$ , as long as their sum is equal to the 100  $\mu A$  necessary to establish the 1V threshold across R1 (10 k $\Omega$ ). Ideally, these currents should be equal (50  $\mu A$  each) for optimal control. However,

as was done here, they may be mismatched in order to use standard resistor values. This results in a slight mismatch of regulation between the two outputs.

The current limit resistor, R4, is selected by dividing the current limit threshold voltage (approximately 100 mV) by the maximum peak current level in the output switch (750 mA steady-state). For our purposes  $R4 = 100 \text{ mV}/750 \text{ mA} = 0.13\Omega$ . A value of 0.1 $\Omega$ , used here, will trip the current limit at 1A peak. A more conservative design would use 0.15 $\Omega$  for this resistor.

Capacitor C1 sets the oscillator frequency according to the equation  $C1 = 80/f$ , where C1 is in nano-Farads and f is the frequency of the oscillator in kHz. This application runs at 80 kHz and used a 1 nF (1000 pF) silver-mica capacitor. The oscillator section provides a 10% deadtime each cycle to protect the output transistor.

Capacitor C2 serves as a compensation capacitor for operating the circuit in the synchronous conduction mode. That is, the output transistor will switch on each cycle, thereby eliminating the random noise spikes which occur with non-synchronous operation and are at best difficult to filter. This capacitor is optional and may be omitted if desired. If used, a value of 10 to 50 pF should be sufficient for most applications.

The choice for an output capacitor value depends primarily on the allowed output ripple voltage,  $\Delta V_{OUT}$ . In most cases, the capacitor's equivalent series resistance (ESR) at the switching frequency produces more ripple voltage than does the charging and discharging of the capacitor. The capacitor should be chosen to have an  $ESR \leq \Delta V_{OUT}/100 \text{ mA}$ , where 100 mA is approximately the greatest ripple current produced by the transformer secondary. Higher-value capacitors tend to have lower ESR; 1000  $\mu F$  aluminum electrolytic was used in this circuit to assure low ESR, under 0.4 $\Omega$ .

The input capacitors, C5 and C6, are used to reduce the transients that may be fed back to the main supply. Capacitor C5 is a 100  $\mu F$  electrolytic and is bypassed by C6, a 0.1  $\mu F$  ceramic disc.

For good efficiency, the diodes must have a low forward voltage drop and be fast switching. 1N5819 Schottky diodes work well.

AB-30

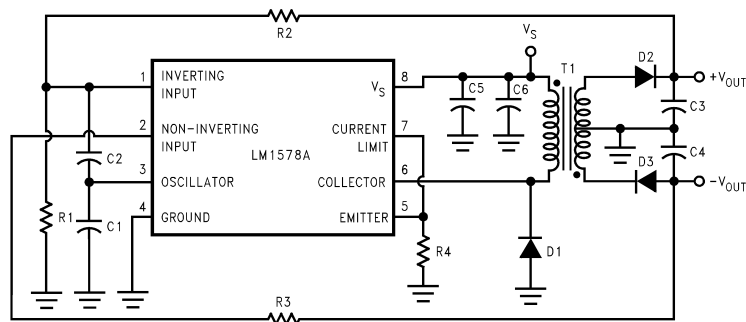


FIGURE 1. RS-232 Power Supply (See Table 1, Parts List)

Transformer selection should be picked for an output transistor "on" time of  $0.4/f$ , and a primary inductance high enough to prevent the output transistor switch from ramping higher than the transistor's rating of 750 mA. Pulse Engineering (San Diego, Calif.) and Renco Electronics, Inc. (Deer Park, N.Y.) can provide further assistance in selecting the proper transformer for a specific application need. The transformer used in the power supply was a Pulse Engineering PE-64287 with turns ratio of  $N_p:N_s:N_s = 1:1.6:1.6$  and primary inductance of  $50 \mu\text{H}$ .

Table 1 is a parts listing for the components used in the building of the power supply circuit.

TABLE 1. Parts List

- R1 = 10 k $\Omega$
- R2 = 240 k $\Omega$
- R3 = 240 k $\Omega$
- R4 = 0.1 $\Omega$
- C1 = 1000 pF
- C2 = 18 pF
- C3 = 220  $\mu\text{F}$
- C4 = 220  $\mu\text{F}$
- C5 = 100  $\mu\text{F}$
- C6 = 0.1  $\mu\text{F}$
- All diodes are 1N5819
- T1 = Pulse Engineering PE-64287

**LIFE SUPPORT POLICY**

NATIONAL'S PRODUCTS ARE NOT AUTHORIZED FOR USE AS CRITICAL COMPONENTS IN LIFE SUPPORT DEVICES OR SYSTEMS WITHOUT THE EXPRESS WRITTEN APPROVAL OF THE PRESIDENT OF NATIONAL SEMICONDUCTOR CORPORATION. As used herein:

1. Life support devices or systems are devices or systems which, (a) are intended for surgical implant into the body, or (b) support or sustain life, and whose failure to perform when properly used in accordance with instructions for use provided in the labeling, can be reasonably expected to result in a significant injury to the user.
2. A critical component in any component of a life support device or system whose failure to perform can be reasonably expected to cause the failure of the life support device or system, or to affect its safety or effectiveness.



**National Semiconductor Corporation**  
Americas  
Tel: 1-800-272-9959  
Fax: 1-800-737-7018  
Email: support@nsc.com

**National Semiconductor Europe**  
Fax: +49 (0) 1 80-530 85 86  
Email: europe.support@nsc.com  
Deutsch Tel: +49 (0) 1 80-530 85 85  
English Tel: +49 (0) 1 80-532 78 32  
Français Tel: +49 (0) 1 80-532 93 58  
Italiano Tel: +49 (0) 1 80-534 16 80

**National Semiconductor Asia Pacific Customer Response Group**  
Tel: 65-2544466  
Fax: 65-2504466  
Email: sea.support@nsc.com

**National Semiconductor Japan Ltd.**  
Tel: 81-3-5620-6175  
Fax: 81-3-5620-6179

www.national.com