

DM74LS373/DM74LS374 3-STATE Octal D-Type Transparent Latches and Edge-Triggered Flip-Flops

General Description

These 8-bit registers feature totem-pole 3-STATE outputs designed specifically for driving highly-capacitive or relatively low-impedance loads. The high-impedance state and increased high-logic level drive provide these registers with the capability of being connected directly to and driving the bus lines in a bus-organized system without need for interface or pull-up components. They are particularly attractive for implementing buffer registers, I/O ports, bidirectional bus drivers, and working registers.

The eight latches of the DM54/74LS373 are transparent D-type latches meaning that while the enable (G) is high the Q outputs will follow the data (D) inputs. When the enable is taken low the output will be latched at the level of the data that was set up.

The eight flip-flops of the DM54/74LS374 are edge-triggered D-type flip flops. On the positive transition of the clock, the Q outputs will be set to the logic states that were set up at the D inputs.

A buffered output control input can be used to place the eight outputs in either a normal logic state (high or low logic levels) or a high-impedance state. In the high-impedance state the outputs neither load nor drive the bus lines significantly.

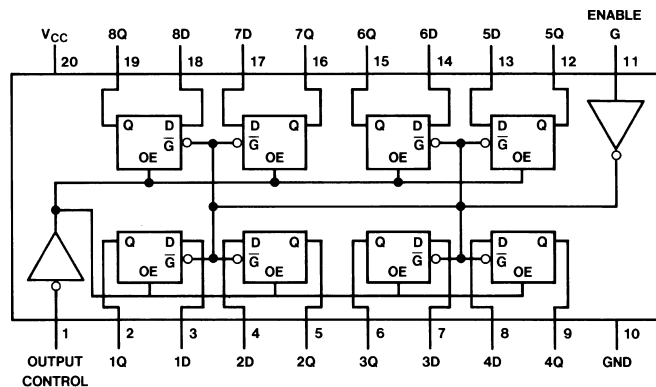
The output control does not affect the internal operation of the latches or flip-flops. That is, the old data can be retained or new data can be entered even while the outputs are off.

Features

- Choice of 8 latches or 8 D-type flip-flops in a single package
- 3-STATE bus-driving outputs
- Full parallel-access for loading
- Buffered control inputs
- P-N-P inputs reduce D-C loading on data lines

Connection Diagrams

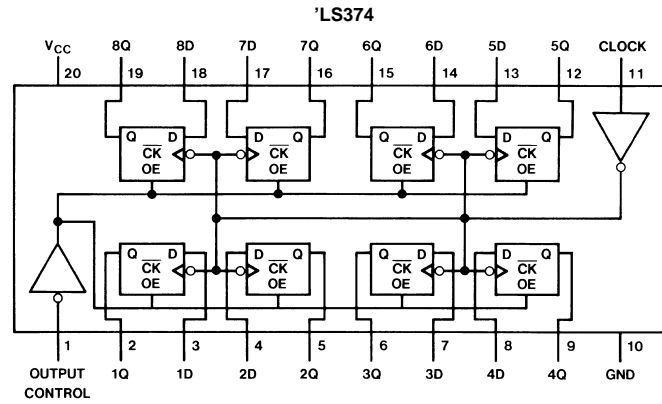
Dual-In-Line Packages
'LS373



DS006431-1

Order Number DM54LS373J, DM54LS373W, DM74LS373N or DM74LS373WM
See Package Number J20A, M20B, N20A or W20A

Connection Diagrams (Continued)



Order Number DM54LS374J, DM54LS374W, DM74LS374WM or DM74LS374N
See Package Number J20A, M20B, N20A or W20A

Function Tables

DM54/74LS373

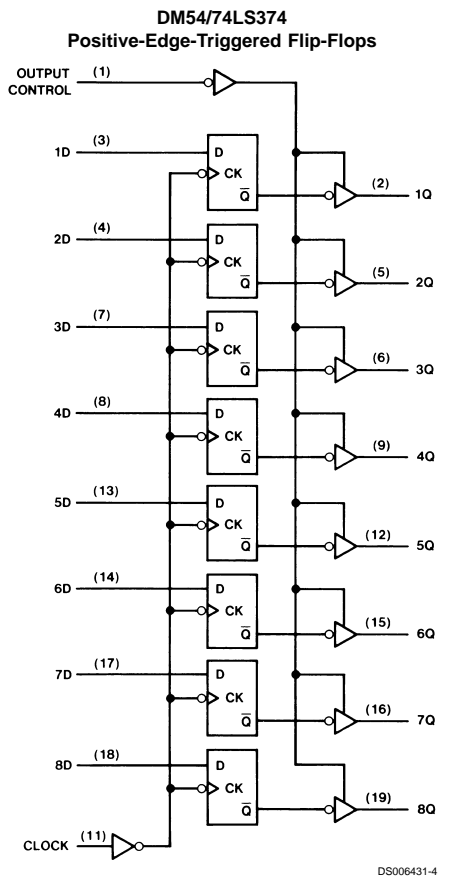
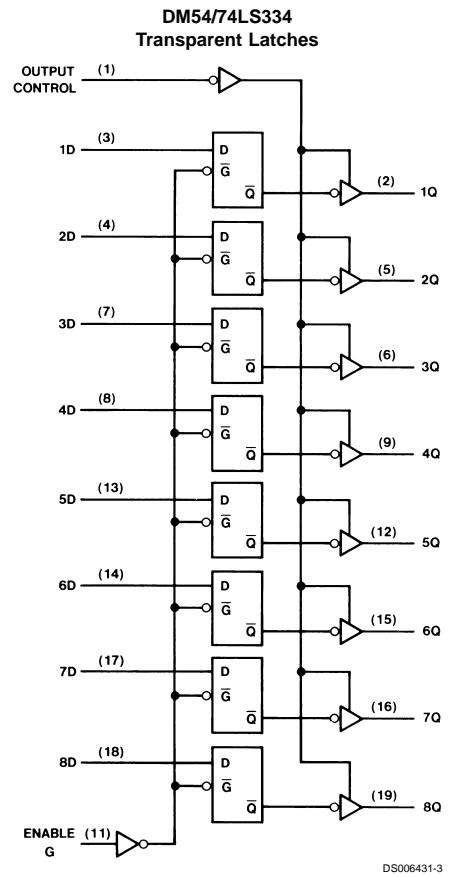
Output Control	Enable G	D	Output
L	H	H	H
L	H	L	L
L	L	X	Q_0
H	X	X	Z

H = High Level (Steady State), L = Low Level (Steady State), X = Don't Care
 \uparrow = Transition from low-to-high level, Z = High Impedance State
 Q_0 = The level of the output before steady-state input conditions were established.

DM54/74LS374

Output Control	Clock	D	Output
L	\uparrow	H	H
L	\uparrow	L	L
L	L	X	Q_0
H	X	X	Z

Logic Diagrams



Absolute Maximum Ratings (Note 1)

Supply Voltage	7V
Input Voltage	7V
Storage Temperature Range	-65°C to +150°C

Operating Free Air Temperature Range

DM54LS	-55°C to +125°C
DM74LS	0°C to +70°C

Recommended Operating Conditions

Symbol	Parameter	DM54LS373			DM74LS373			Units
		Min	Nom	Max	Min	Nom	Max	
V _{CC}	Supply Voltage	4.5	5	5.5	4.75	5	5.25	V
V _{IH}	High Level Input Voltage	2			2			V
V _{IL}	Low Level Input Voltage			0.7			0.8	V
I _{OH}	High Level Output Current			-1			-2.6	mA
I _{OL}	Low Level Output Current			12			24	mA
t _w	Pulse Width (Note 3)	Enable High	15		15			ns
		Enable Low	15		15			
t _{SU}	Data Setup Time (Notes 2, 3)	5↓			5↓			ns
t _H	Data Hold Time (Notes 2, 3)	20↓			20↓			ns
T _A	Free Air Operating Temperature	-55		125	0		70	°C

Note 1: The "Absolute Maximum Ratings" are those values beyond which the safety of the device cannot be guaranteed. The device should not be operated at these limits. The parametric values defined in the "Electrical Characteristics" table are not guaranteed at the absolute maximum ratings. The "Recommended Operating Conditions" table will define the conditions for actual device operation.

Note 2: The symbol (↓) indicates the falling edge of the clock pulse is used for reference.

Note 3: T_A = 25°C and V_{CC} = 5V.

'LS373 Electrical Characteristics

over recommended operating free air temperature range (unless otherwise noted)

Symbol	Parameter	Conditions	Min	Typ (Note 4)	Max	Units
V _I	Input Clamp Voltage	V _{CC} = Min, I _I = -18 mA			-1.5	V
V _{OH}	High Level Output Voltage	V _{CC} = Min I _{OH} = Max V _{IL} = Max V _{IH} = Min	DM54	2.4	3.4	V
			DM74	2.4	3.1	
V _{OL}	Low Level Output Voltage	V _{CC} = Min I _{OL} = Max V _{IL} = Max V _{IH} = Min	DM54		0.25	V
			DM74		0.35	
		I _{OL} = 12 mA V _{CC} = Min	DM74			
I _I	Input Current @ Max Input Voltage	V _{CC} = Max, V _I = 7V			0.1	mA
I _{IH}	High Level Input Current	V _{CC} = Max, V _I = 2.7V			20	μA
I _{IL}	Low Level Input Current	V _{CC} = Max, V _I = 0.4V			-0.4	mA
I _{OZH}	Off-State Output Current with High Level Output Voltage Applied	V _{CC} = Max, V _O = 2.7V V _{IH} = Min, V _{IL} = Max			20	μA
I _{OZL}	Off-State Output Current with Low Level Output Voltage Applied	V _{CC} = Max, V _O = 0.4V V _{IH} = Min, V _{IL} = Max			-20	μA
I _{OS}	Short Circuit Output Current	V _{CC} = Max (Note 5)	DM54	-20	-100	mA
			DM74	-50	-225	

'LS373 Electrical Characteristics (Continued)

over recommended operating free air temperature range (unless otherwise noted)

Symbol	Parameter	Conditions	Min	Typ (Note 4)	Max	Units
I_{CC}	Supply Current	$V_{CC} = \text{Max}$, OC = 4.5V, D_n , Enable = GND		24	40	mA

'LS373 Switching Characteristics

at $V_{CC} = 5V$ and $T_A = 25^\circ C$

Symbol	Parameter	From (Input) To (Output)	$R_L = 667\Omega$				Units
			$C_L = 45 \text{ pF}$		$C_L = 150 \text{ pF}$		
			Min	Max	Min	Max	
t_{PLH}	Propagation Delay Time Low to High Level Output	Data to Q		18		26	ns
t_{PHL}	Propagation Delay Time High to Low Level Output	Data to Q		18		27	ns
t_{PLH}	Propagation Delay Time Low to High Level Output	Enable to Q		30		38	ns
t_{PHL}	Propagation Delay Time High to Low Level Output	Enable to Q		30		36	ns
t_{PZH}	Output Enable Time to High Level Output	Output Control to Any Q		28		36	ns
t_{PZL}	Output Enable Time to Low Level Output	Output Control to Any Q		36		50	ns
t_{PHZ}	Output Disable Time from High Level Output (Note 6)	Output Control to Any Q		20			ns
t_{PLZ}	Output Disable Time from Low Level Output (Note 6)	Output Control to Any Q		25			ns

Note 4: All typicals are at $V_{CC} = 5V$, $T_A = 25^\circ C$.

Note 5: Not more than one output should be shorted at a time, and the duration should not exceed one second.

Note 6: $C_L = 5 \text{ pF}$.

Recommended Operating Conditions

Symbol	Parameter	DM54LS374			DM74LS374			Units
		Min	Nom	Max	Min	Nom	Max	
V_{CC}	Supply Voltage	4.5	5	5.5	4.75	5	5.25	V
V_{IH}	High Level Input Voltage	2			2			V
V_{IL}	Low Level Input Voltage			0.7			0.8	V
I_{OH}	High Level Output Current			-1			-2.6	mA
I_{OL}	Low Level Output Current			12			24	mA

Recommended Operating Conditions (Continued)

Symbol	Parameter	DM54LS374			DM74LS374			Units
		Min	Nom	Max	Min	Nom	Max	
t _w	Pulse Width (Note 8)	Clock High	15			15		ns
		Clock Low	15			15		
t _{SU}	Data Setup Time (Notes 7, 8)	20↑			20↑			ns
t _H	Data Hold Time (Notes 7, 8)	1↑			1↑			ns
T _A	Free Air Operating Temperature	-55		125	0		70	°C

Note 7: The symbol (↑) indicates the rising edge of the clock pulse is used for reference.

Note 8: T_A = 25°C and V_{CC} = 5V.

'LS374 Electrical Characteristics

over recommended operating free air temperature range (unless otherwise noted)

Symbol	Parameter	Conditions	Min	Typ (Note 9)	Max	Units
V _I	Input Clamp Voltage	V _{CC} = Min, I _I = -18 mA			-1.5	V
V _{OH}	High Level Output Voltage	V _{CC} = Min	DM54	2.4	3.4	V
		I _{OH} = Max V _{IL} = Max V _{IH} = Min	DM74	2.4	3.1	
V _{OL}	Low Level Output Voltage	V _{CC} = Min	DM54	0.25	0.4	V
		I _{OL} = Max V _{IL} = Max V _{IH} = Min	DM74	0.35	0.5	
		I _{OL} = 12 mA V _{CC} = Min	DM74	0.25	0.4	
I _I	Input Current @ Max Input Voltage	V _{CC} = Max, V _I = 7V			0.1	mA
I _{IH}	High Level Input Current	V _{CC} = Max, V _I = 2.7V			20	μA
I _{IL}	Low Level Input Current	V _{CC} = Max, V _I = 0.4V			-0.4	mA
I _{OZH}	Off-State Output Current with High Level Output Voltage Applied	V _{CC} = Max, V _O = 2.7V V _{IH} = Min, V _{IL} = Max			20	μA
I _{OZL}	Off-State Output Current with Low Level Output Voltage Applied	V _{CC} = Max, V _O = 0.4V V _{IH} = Min, V _{IL} = Max			-20	μA
I _{OS}	Short Circuit Output Current	V _{CC} = Max	DM54	-50	-225	mA
		(Note 10)	DM74	-50	-225	
I _{CC}	Supply Current	V _{CC} = Max, D _n = GND, OC = 4.5V		27	45	mA

'LS374 Switching Characteristics

at $V_{CC} = 5V$ and $T_A = 25^\circ C$

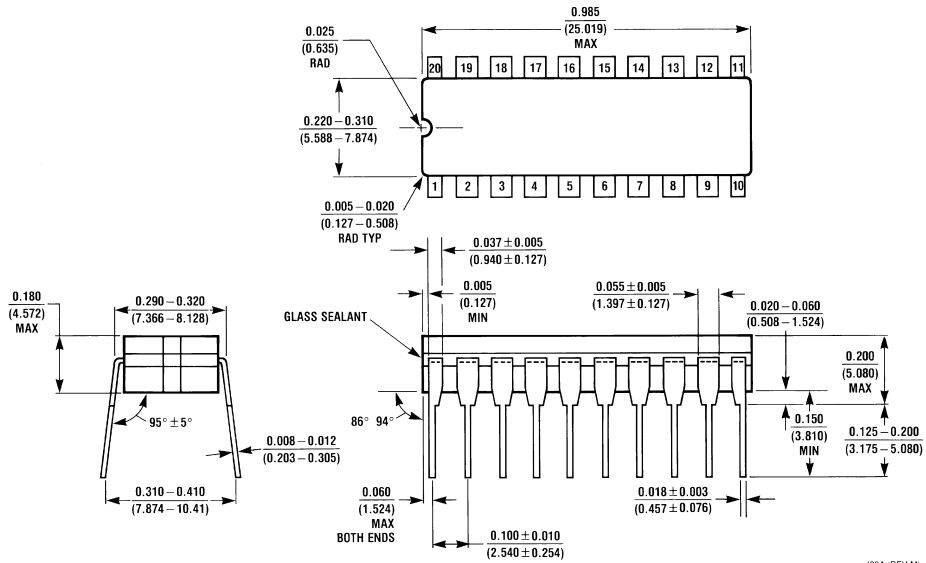
Symbol	Parameter	$R_L = 667\Omega$				Units
		$C_L = 45\text{ pF}$		$C_L = 150\text{ pF}$		
		Min	Max	Min	Max	
f_{MAX}	Maximum Clock Frequency	35		20		MHz
t_{PLH}	Propagation Delay Time Low to High Level Output		28		32	ns
t_{PHL}	Propagation Delay Time High to Low Level Output		28		38	ns
t_{PZH}	Output Enable Time to High Level Output		28		44	ns
t_{PZL}	Output Enable Time to Low Level Output		28		44	ns
t_{PHZ}	Output Disable Time from High Level Output (Note 11)		20			ns
t_{PLZ}	Output Disable Time from Low Level Output (Note 11)		25			ns

Note 9: All typicals are at $V_{CC} = 5V$, $T_A = 25^\circ C$.

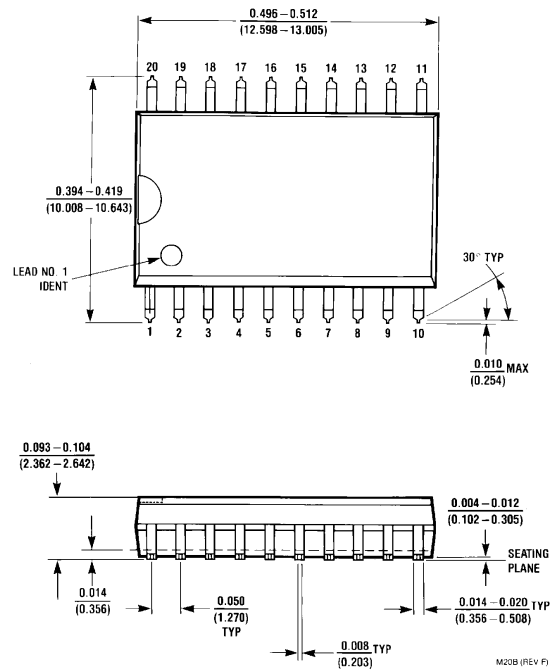
Note 10: Not more than one output should be shorted at a time, and the duration should not exceed one second.

Note 11: $C_L = 5\text{ pF}$.

Physical Dimensions inches (millimeters) unless otherwise noted

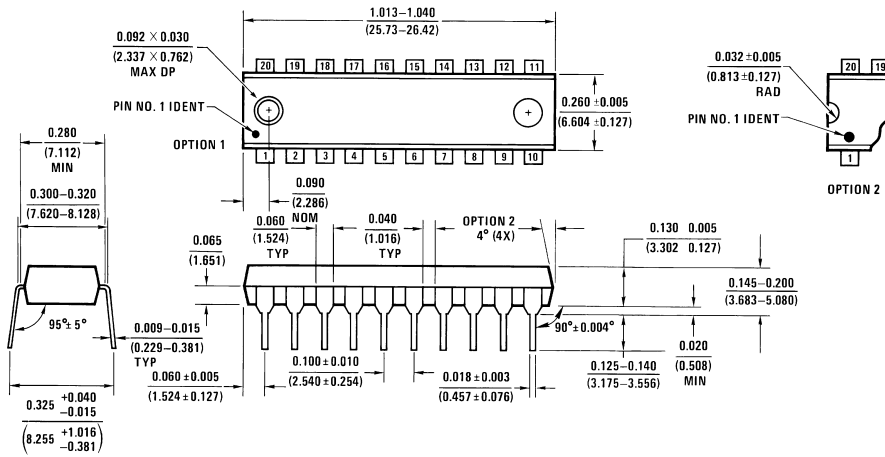


20-Lead Ceramic Dual-In-Line Package (J)
Order Number DM54LS373J or DM54LS374J
Package Number J20A



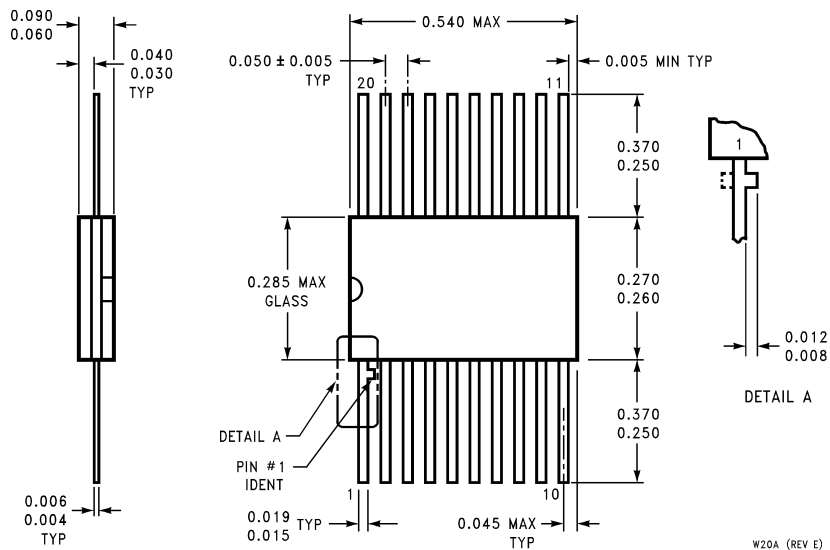
20-Lead Wide Small Outline Molded Package (M)
Order Number DM74LS373WM or DM74LS374WM
Package Number M20B

Physical Dimensions inches (millimeters) unless otherwise noted (Continued)



N20A (REV G)

20-Lead Molded Dual-In-Line Package (N)
Order Number DM74LS373N and DM74LS374N
Package Number N20A



W20A (REV E)

20-Lead Ceramic Flat Package (W)
Order Number DM54LS373W or DM54LS374W
Package Number W20A

LIFE SUPPORT POLICY

FAIRCHILD'S PRODUCTS ARE NOT AUTHORIZED FOR USE AS CRITICAL COMPONENTS IN LIFE SUPPORT DEVICES OR SYSTEMS WITHOUT THE EXPRESS WRITTEN APPROVAL OF THE PRESIDENT OF FAIRCHILD SEMICONDUCTOR CORPORATION. As used herein:

1. Life support devices or systems are devices or systems which, (a) are intended for surgical implant into the body, or (b) support or sustain life, and (c) whose failure to perform when properly used in accordance with instructions for use provided in the labeling, can be reasonably expected to result in a significant injury to the user.
2. A critical component in any component of a life support device or system whose failure to perform can be reasonably expected to cause the failure of the life support device or system, or to affect its safety or effectiveness.

Fairchild Semiconductor Corporation Americas
Customer Response Center
Tel: 1-888-522-5372

Fairchild Semiconductor Europe
Fax: +49 (0) 1 80-530 85 86
Email: europe.support@nsc.com
Deutsch Tel: +49 (0) 8 141-35-0
English Tel: +44 (0) 1 793-85-68-56
Italy Tel: +39 (0) 2 57 5631

Fairchild Semiconductor Hong Kong Ltd.
13th Floor, Straight Block,
Ocean Centre, 5 Canton Rd.
Tsimshatsui, Kowloon
Hong Kong
Tel: +852 2737-7200
Fax: +852 2314-0061

National Semiconductor Japan Ltd.
Tel: 81-3-5620-6175
Fax: 81-3-5620-6179

www.fairchildsemi.com